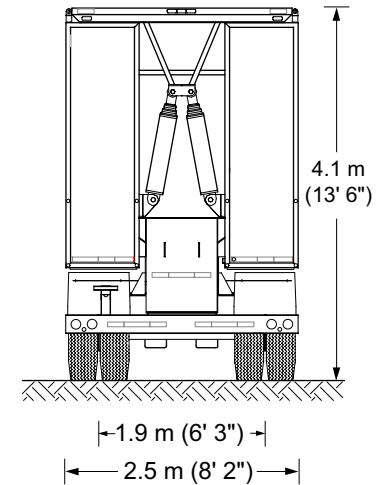
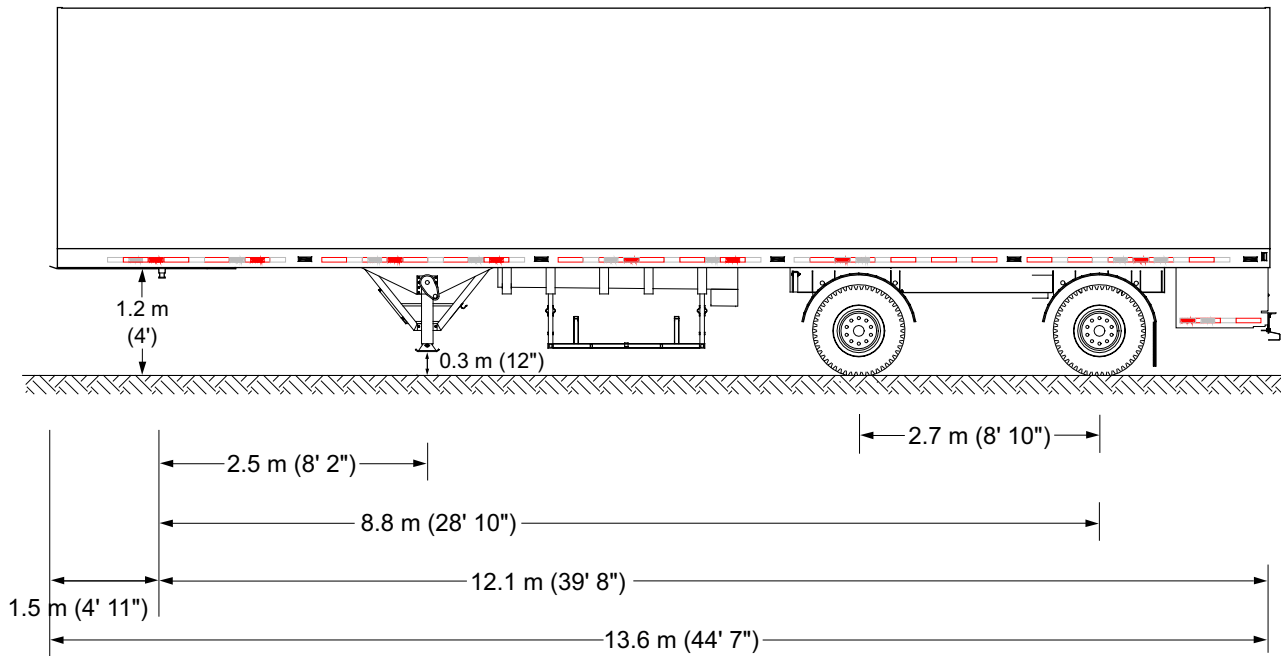




700 Marsolais Street  
 L'Assomption, Quebec  
 Canada J5W 2G9  
 Tel: (450) 589-1063  
 or 1-800-267-8243  
 Fax: (450) 589-1711  
 www.stageline.com  
 info@stageline.com

# Stageline SAM 440



Mass	Kg	Lbs
Total mass	26 000	57 300
Mass on tandem	15 400	34 000
Allowable load of axle	9 000	19 800

## Mass & Dimensions

1. Mass may vary depending on options.
2. Technical specifications may change without notice.
3. Drawings are not to scale.

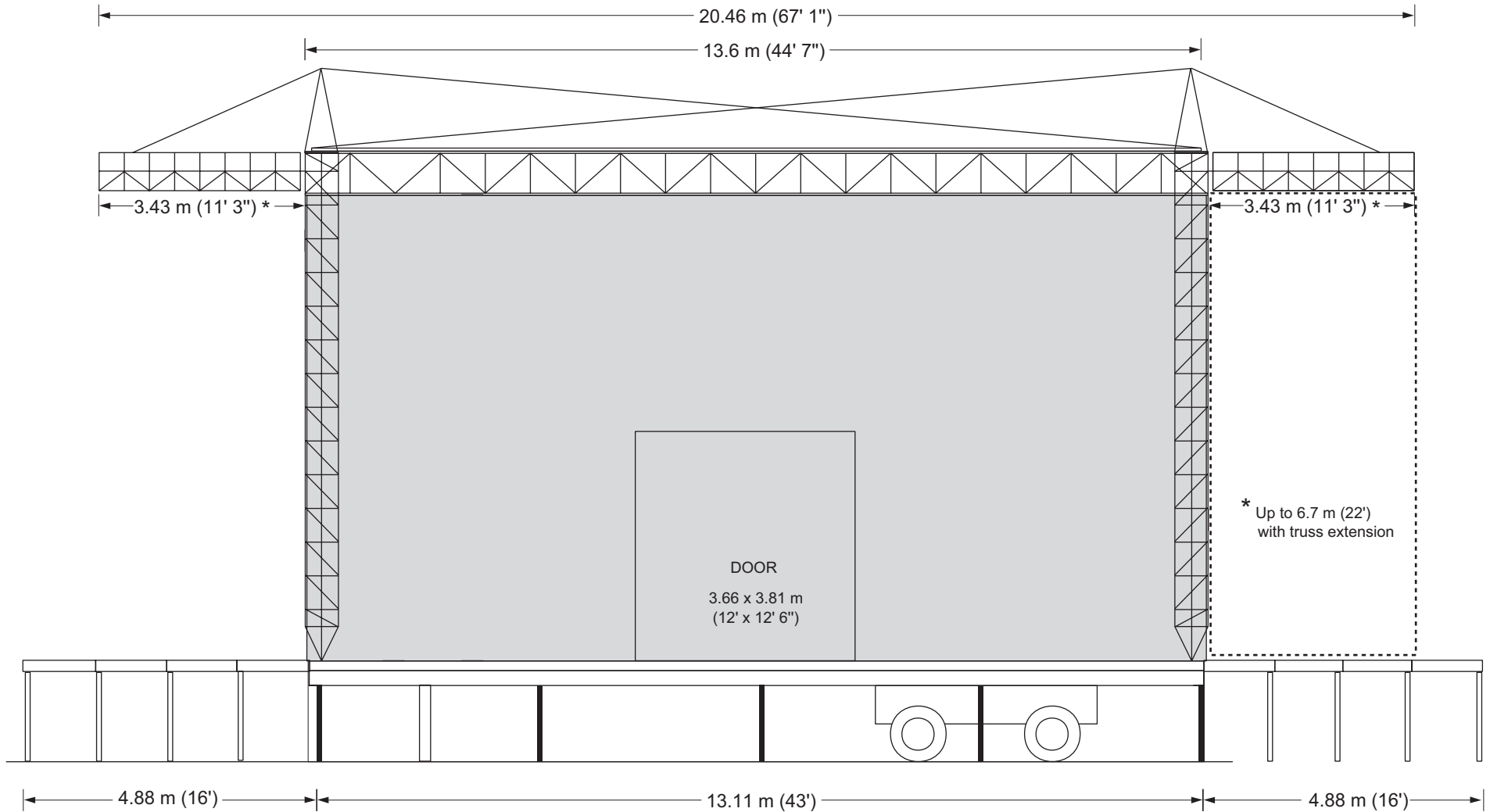
© 2000 - All rights reserved, Stageline Mobile Stage inc<sup>®</sup>. Any and all forms of adaptation or reproduction of this document including plans and drawings found herein, in whole or in part, are strictly forbidden without the written authorisation of Stageline Mobile Stage inc<sup>®</sup>.

Date: 2005-06-19  
 Ref. No.: S09-V-011-A  
 Revision 5



® 700 Marsolais Street  
L'Assomption, Quebec  
Canada J5W 2G9  
Tel: (450) 589-1063  
or 1-800-267-8243  
Fax: (450) 589-1711  
www.stageline.com  
info@stageline.com

# Stageline SAM 440

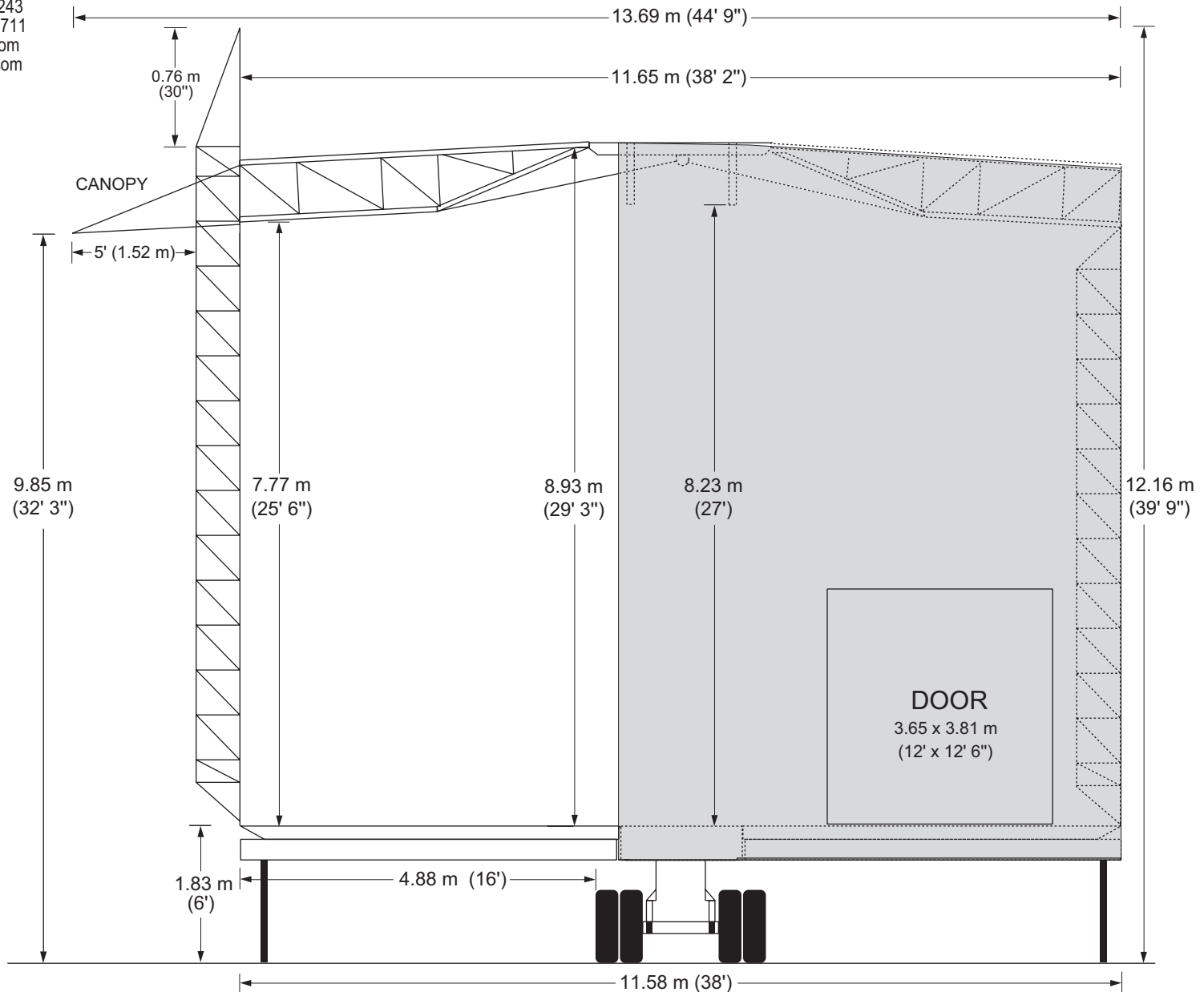


Front View with Windwalls



® 700 Marsolais Street  
L'Assomption, Quebec  
Canada J5W 2G9  
Tel: (450) 589-1063  
or 1-800-267-8243  
Fax: (450) 589-1711  
www.stageline.com  
info@stageline.com

# Stageline SAM 440

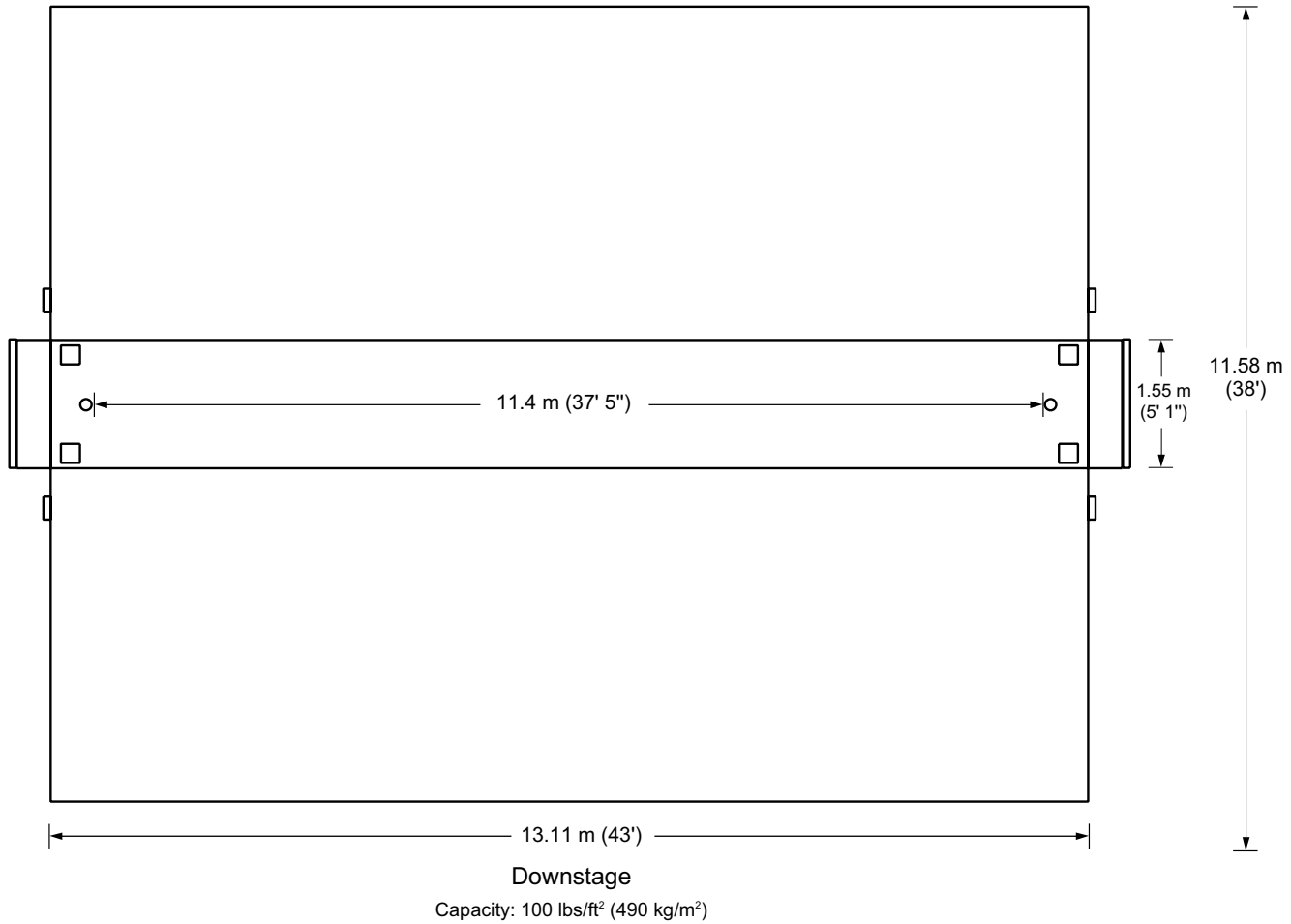


Side View



® 700 Marsolais Street  
L'Assomption, Quebec  
Canada J5W 2G9  
Tel: (450) 589-1063  
or 1-800-267-8243  
Fax: (450) 589-1711  
www.stageline.com  
info@stageline.com

# Stageline SAM 440

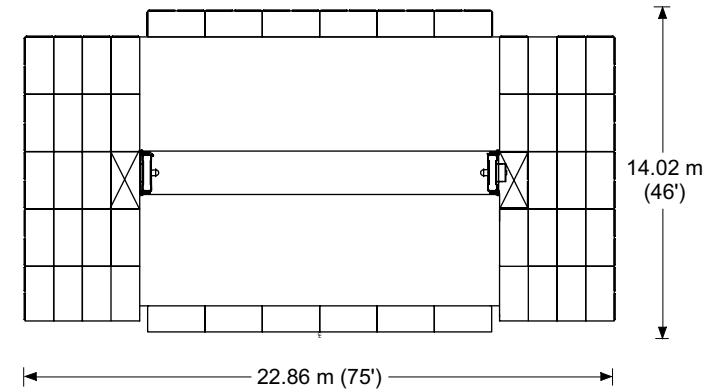
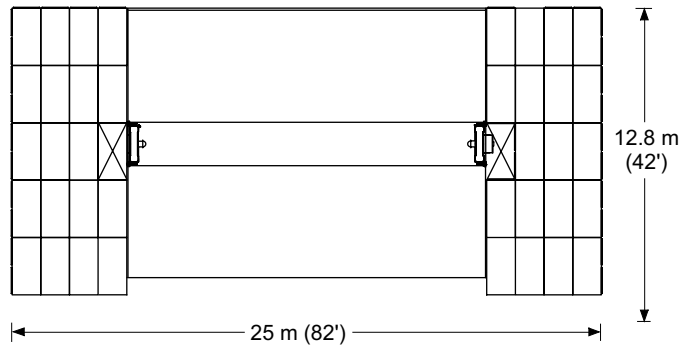
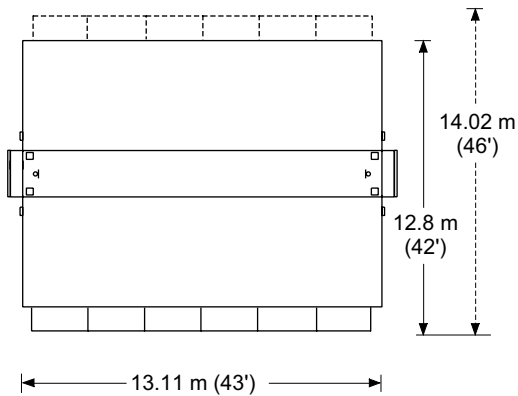
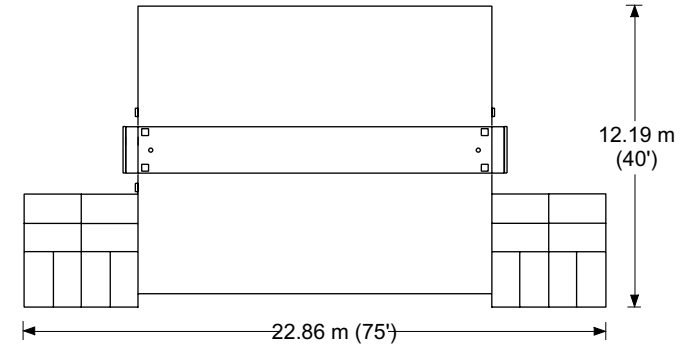
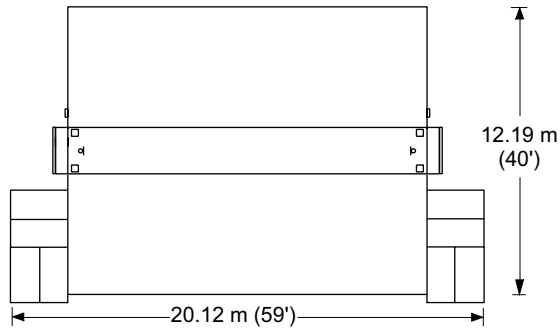
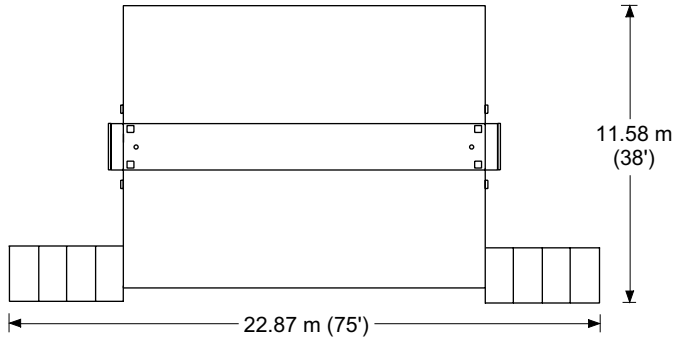


## Floor View



700 Marsolais Street  
L'Assomption, Quebec  
Canada J5W 2G9  
Tel: (450) 589-1063  
or 1-800-267-8243  
Fax: (450) 589-1711  
www.stageline.com  
info@stageline.com

# Stageline SAM 440

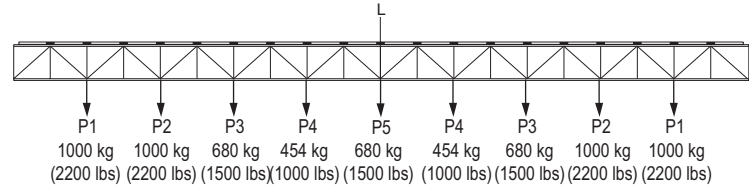


## Extension Platform Layouts

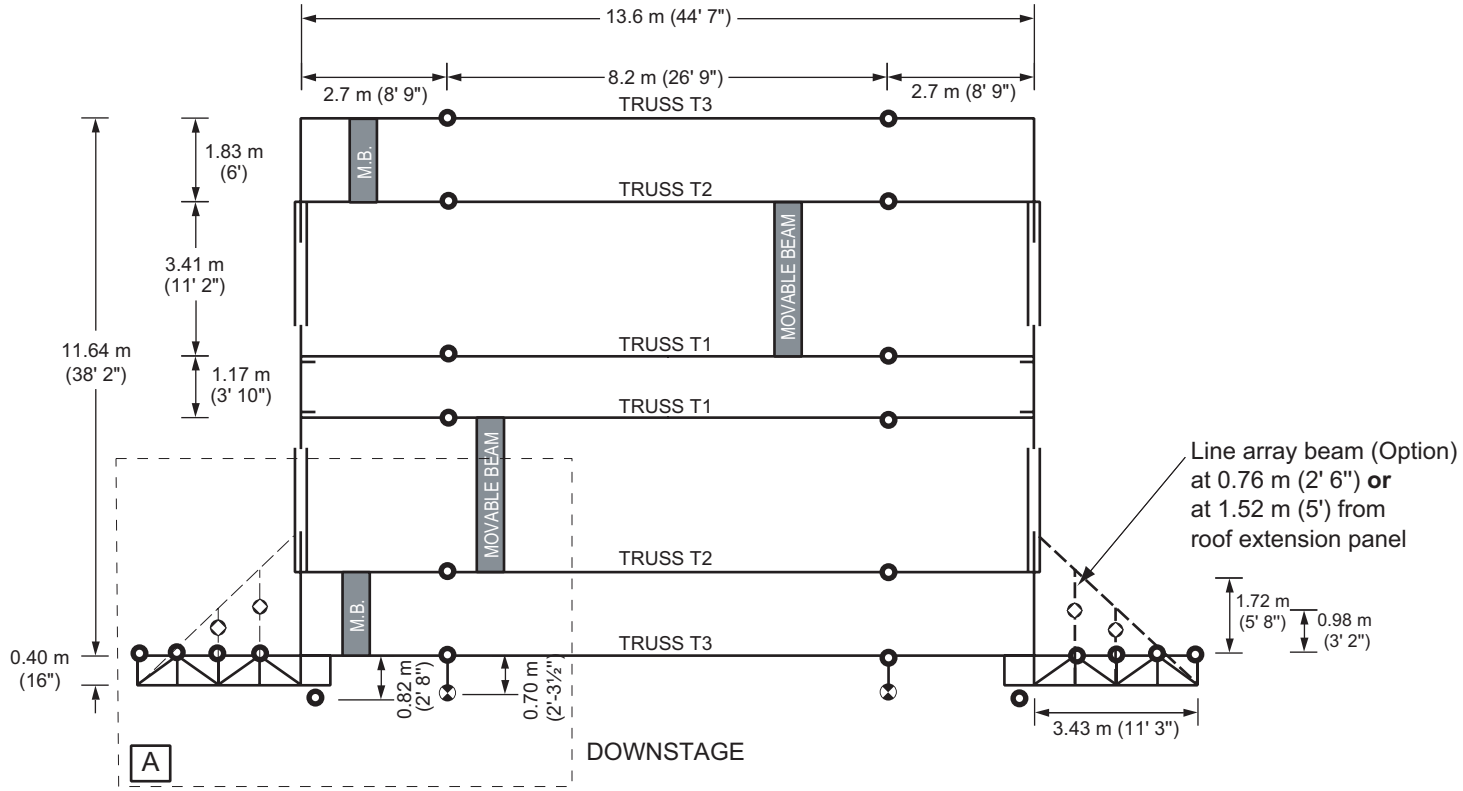


700 Marsolais Street  
L'Assomption, Quebec  
Canada J5W 2G9  
Tel: (450) 589-1063  
or 1-800-267-8243  
Fax: (450) 589-1711  
www.stageline.com  
info@stageline.com

# Stageline SAM 440



Trusses T1, T2 or T3  
Use only both P1s or P2s or  
P3s or P4s or P5 alone.



**MAXIMUM LOAD BEARING CAPACITY: 10910 kg (24000 lbs)**

- ◇ Rigging Point Maximum Capacity: 1814 kg (4000 lbs) total on 1 or 2 points
- Rigging Point Maximum Capacity: 1000 kg (2200 lbs)
- ⊗ Rigging Point Maximum Capacity: 454 kg (1000 lbs)

**MOVABLE BEAM** Maximum Rigging Capacity: 1000 kg (2200 lbs)

**Rigging Restrictions:**

The sum of all rigging points shown in area A of both sides of roof panels cannot exceed 4090 kg (9000 lbs).  
Total load on each side overhang truss must not exceed 2995 kg (6600 lbs).  
No additional load can be rigged on side overhang truss when using line array system.  
Never load truss T3 and front overhang rigging point concurrently.

## Rigging Plan

Stage specifications subject to change without notice. Figures are nominal.

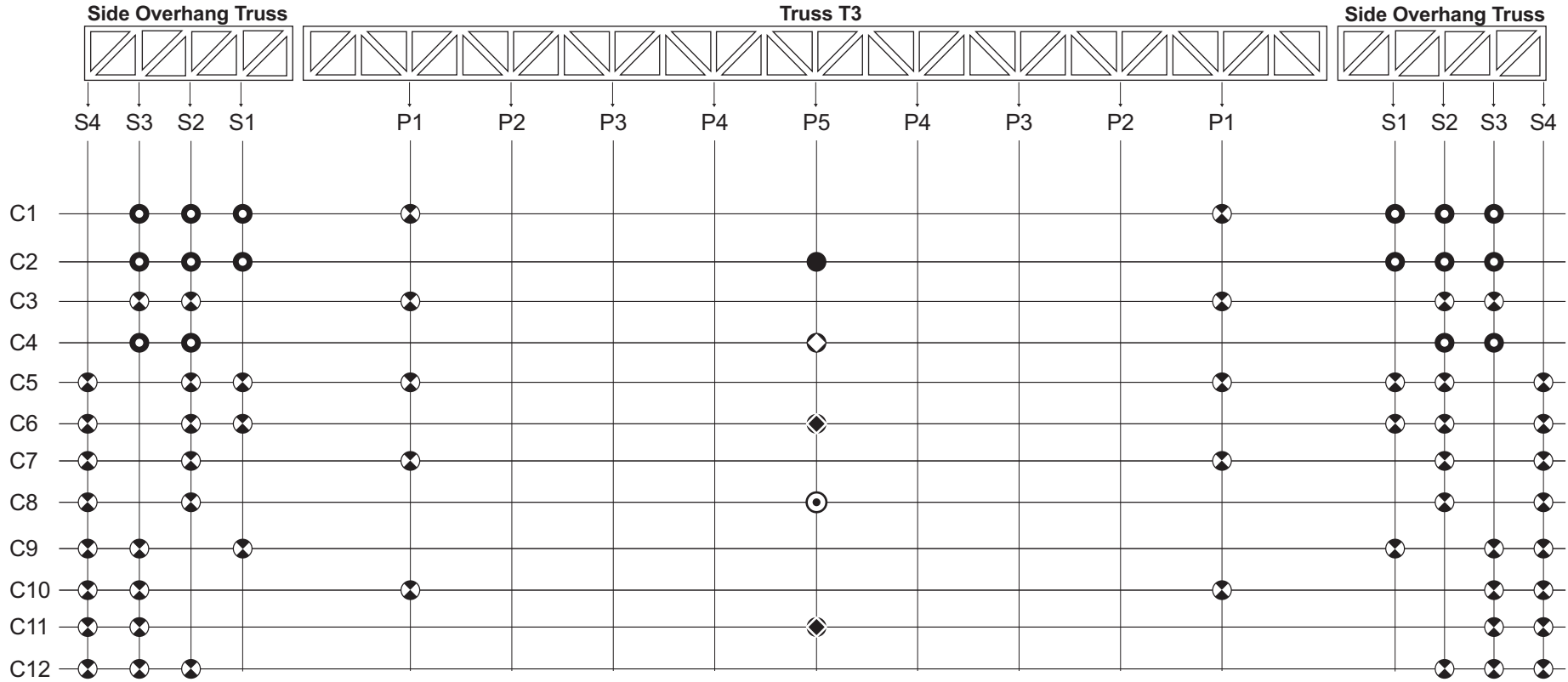
©2004 - All rights reserved Stageline Mobile Stage inc<sup>®</sup>. Any and all forms of adaptation or reproduction of this document including plans and drawings found herein, in whole or in part, is strictly forbidden without the written authorisation of Stageline Mobile Stage inc<sup>®</sup>.

Date: 2004-06-07  
Ref. No.: D09-V-444-A  
Revision 5



700 Marsolais Street  
 L'Assomption, Quebec  
 Canada J5W 2G9  
 Tel: (450) 589-1063  
 or 1-800-267-8243  
 Fax: (450) 589-1711  
 www.stageline.com  
 info@stageline.com

# Stageline SAM 440



## Rigging Point Maximum Capacity

- 1000 kg (2200 lbs)
- ⊗ 908 kg (2000 lbs)
- ◇ 650 kg (1450 lbs)
- ⊙ 454 kg (1000 lbs)
- 430 kg (950 lbs)
- ◆ 360 kg (800 lbs)

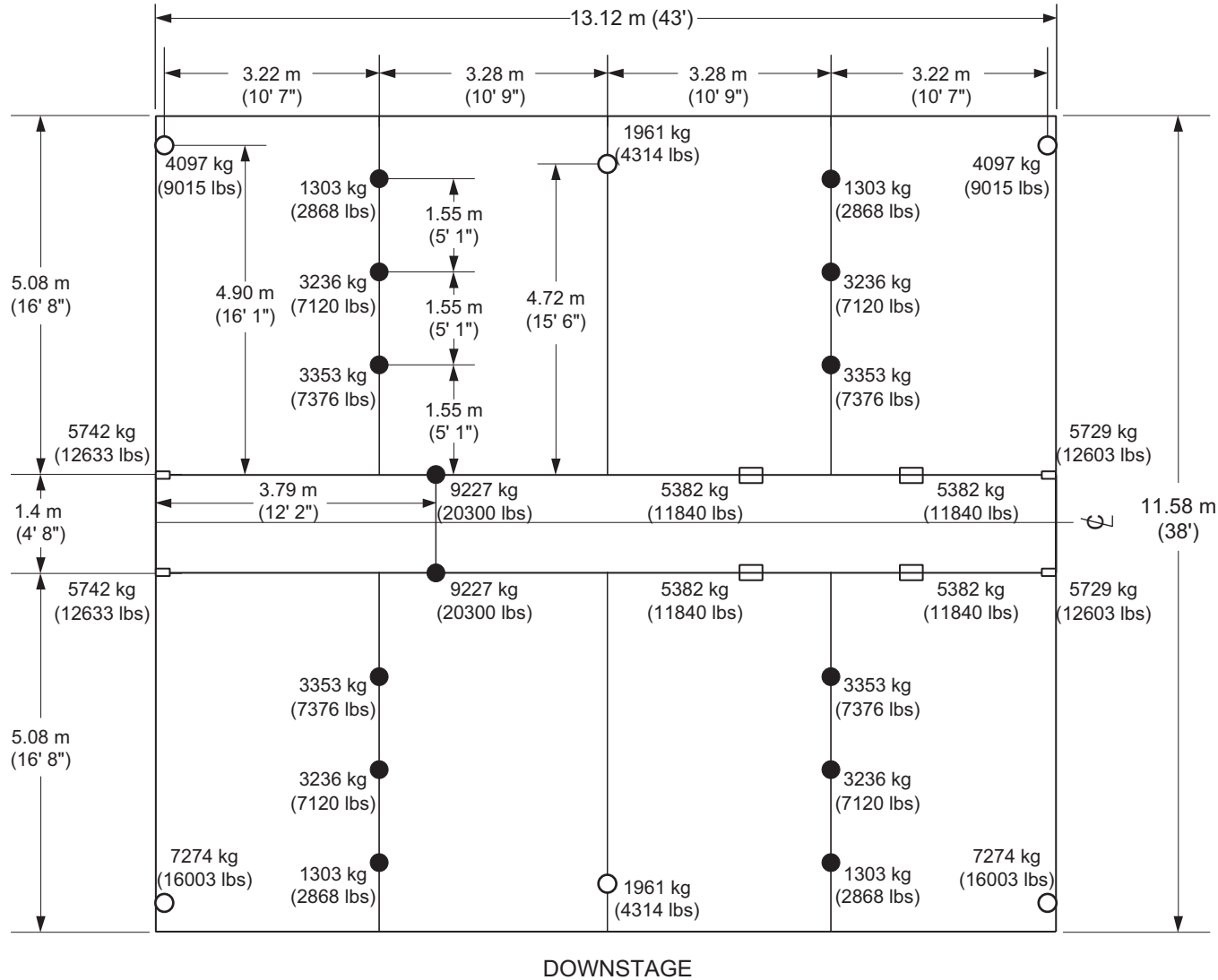
## Rigging - T3 & Side Overhang Trusses

N.B.: Up to and including unit no. 57



700 Marsolais Street  
 L'Assomption, Quebec  
 Canada J5W 2G9  
 Tel: (450) 589-1063  
 or 1-800-267-8243  
 Fax: (450) 589-1711  
 www.stageline.com  
 info@stageline.com

# Stageline SAM 440



- Solid steel levelling jacks
- Hollow levelling jacks

## Ground Support Capacity